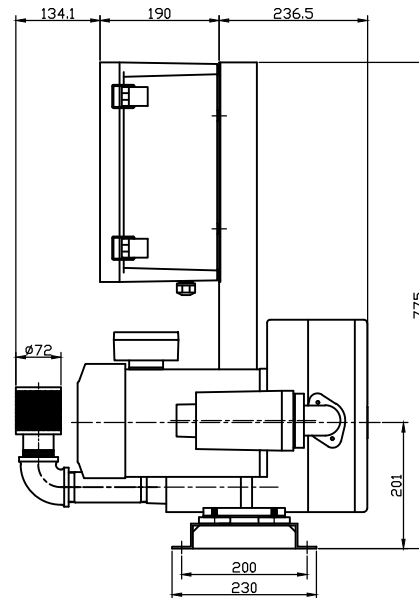
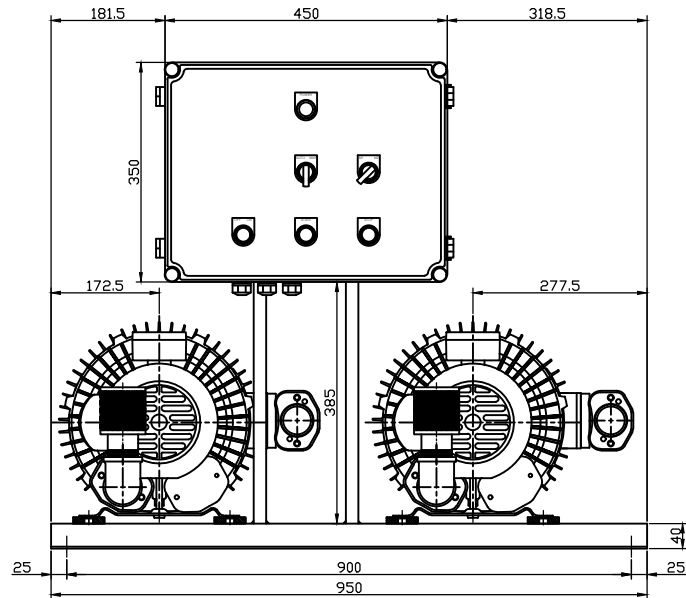
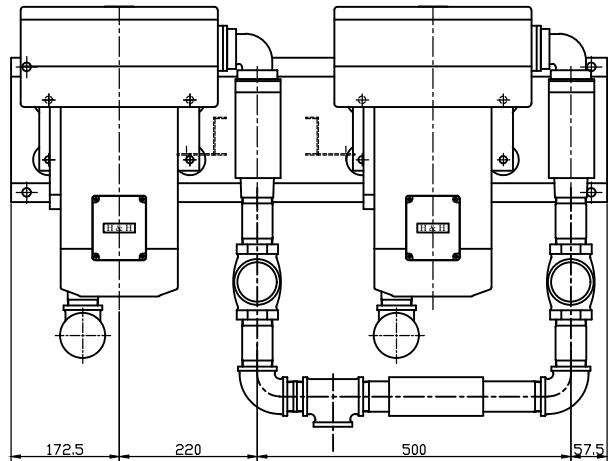



NOTE 1) 모터 21

No.	PART NAME	MATERIAL	Qt'y	SIZE	REMARK
01					



00									
No.	Revision				Date	Draw	Check	Appr.	
형식 TYPE	HRB-402-1		도명 TITLE		외형도 (OUTWARD DWG.)				
DRAWN	DESIGN	CHECKED	APPROVED	3RD ANGLE	SCALE:1/1	UNIT:mm			
B.S.Kim				SIZE	3φ 2P 2.2kW				
17.02.17									
 黃海電機 HWANG HAE ELECTRIC				도번 DWG. No	BOD00445		